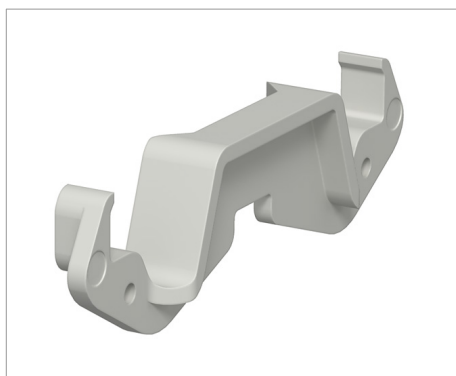


Technical data sheet

Duct clamp

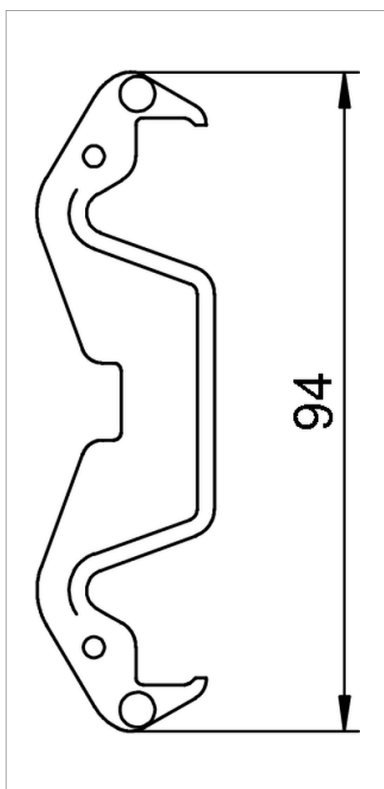


Duct clamp for secure cable holding and fixing the partition in the GK, GS and GEK-A device installation trunking.

Type	Pack. pcs	Weight kg/100 pcs.	Art.-No.
KL80A	20	0.680	6288640

PA Polyamide

/pc.



CE